

Hydra Grip-O-Matic® puller accessory kits

K82 accessory kit for the Hydra-Grip-O-Matic® puller No. PH83C. Includes 2-way puller head, 2 jaws, 2 threaded legs and sturdy carrying/storage case.

No. K82 – Accessory kit for PH83C Grip-O-Matic® hydraulic puller.

K83 2/3 way head accessories kit for a Hydra Grip-O-Matic® puller No. PH83C. Includes 2/3 way puller head, 3 jaws, 3 threaded legs and sturdy carrying/storage case.

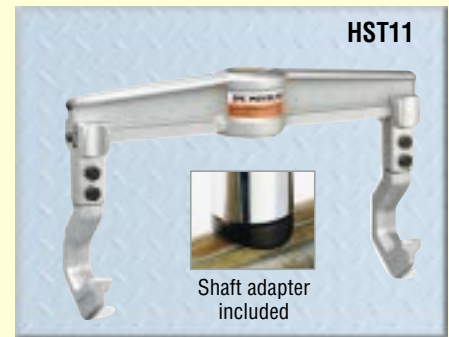
No. K83 – Accessory kit for PH83C Grip-O-Matic® hydraulic puller.



Puller Accessory converts PH113C into a Hydraulic Straightening Tool

Portable...Good for straightening mechanical shafts, round bars, etc. Simply remove pump and cylinder from puller head and insert them into the straightening tool accessory. This product is widely used in steel mills, wire roll companies, wire extruding companies, textile industry, and any straightening situation where portability and power are required. Contoured heat-treated shaft adapter included.

No. HST11 – Spread: 89 mm to 410 mm, Reach: 150 mm. Wt., 9.5 kg.

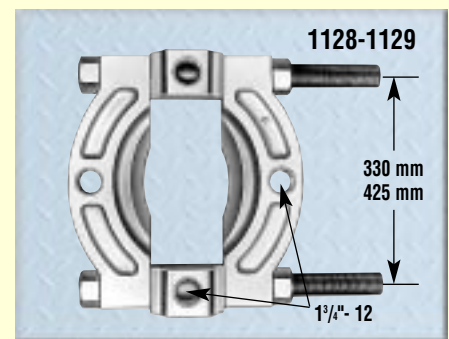


Pulling attachment accessory

“Knife-like” edges of attachment fit behind bearings or other parts for easy removal with “Enforcer 55”, even if space does not permit hooking puller jaws directly to part being pulled.

No. 1128 – Spread: 127 mm to 327 mm. Wt., 45.4 kg.

No. 1129 – Spread: 152 mm to 425 mm. Wt., 89.4 kg.



Long jaw set for PH83C and PH113C Grip-O-Matic® pullers

This long jaw set is the perfect addition to the PH83C or PH113C Grip-O-Matic® hydraulic pullers. The extra long jaws give you the added capability of pulling a wider variety of parts. Jaw capacity is 8 tons when used with the PH83C puller; 11 tons when used with the PH113C puller.

No. 1188 – Spread: 279 mm to 317 mm, Reach: 317 mm.

