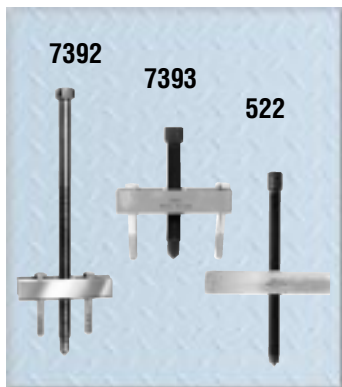


Specialty Pullers and Metric Adapters



Gear and pulley pullers

Ideal for pulling many small parts having tapped holes. The Nos. 7392 and 7393 may be used with the No. 1122 pulling attachment to remove bearings, etc. Pullers include two hex head cap screws, $\frac{3}{8}$ " – 16 NC x 76 mm long. Spread: 38 - 108 mm. Width of puller block is 124 mm. Cap screws are not included with the No. 522, but any cap screws up to 12.7 mm diameter may be used. No. 522 spread, when used with 12.7 mm dia. cap screws, is 51 - 197 mm. Width of the No. 522 puller block is 209 mm.

No. 7392 – Puller with $\frac{5}{8}$ "-18 x 330 mm long screw. Wt., 0.9 kg.

No. 7393 – Puller with $\frac{5}{8}$ "-18 x 140 mm long screw. Wt., 0.7 kg.

No. 522 – Puller with $\frac{3}{4}$ "-16 x 295 mm long screw. Wt., 2 kg.



4-in-1 puller set

You can quickly assemble a 2- or 3-jaw puller with standard or long reach jaws.

No. PA7 – Four-In-One puller set, 7 ton capacity. Standard jaw max. reach is 127 mm. Maximum spread is 267 mm. Long jaw max. reach is 222 mm. Maximum spread is 279 mm. Wt., 4.9 kg.



Flange type puller

Slotted holes in puller body permit cap screws to be positioned to handle bolt-circle diameters from 38 - 117 mm.

No. 518 – Flange type puller. Includes 3 cap screws, $\frac{3}{8}$ " – 24 NF x 76 mm long and 3 cap screws $\frac{3}{8}$ " – 16 NC x 76 mm long. Forcing screw is $\frac{5}{8}$ "-18 x 127 mm long. Wt., 1.5 kg.

Metric adapters

Add metric capability to your Push-Puller® legs or forcing screws! Four separate metric kits available with a variety of sizes for your Push-Puller® legs or forcing screws! Each packaged in a convenient plastic organizer case.



NOTE: The adapters in each of these sets are also available separately.

No. 8110 – Male Metric Adapter Kit. Wt., 1.4 kg.			
Female End	Male End	Length (mm)	Order No.
$\frac{5}{8}$ "-18	M6 x 1.0	57.2	8111
$\frac{5}{8}$ "-18	M8 x 1.0	57.2	8112
$\frac{5}{8}$ "-18	M8 x 1.25	57.2	8113
$\frac{5}{8}$ "-18	M10 x 1.25	57.2	8114
$\frac{5}{8}$ "-18	M10 x 1.50	57.2	8115
$\frac{5}{8}$ "-18	M12 x 1.25	57.2	8116
$\frac{5}{8}$ "-18	M12 x 1.75	57.2	8117

No. 8120 – Male Metric Adapter Kit. Wt., 1.4 kg.			
Female End	Male End	Length (mm)	Order No.
$\frac{5}{8}$ "-18	M14 x 1.5	57.2	8121
$\frac{5}{8}$ "-18	M14 x 2.0	57.2	8122
$\frac{5}{8}$ "-18	M16 x 1.5	69.9	8123
$\frac{5}{8}$ "-18	M16 x 2.0	69.9	8124
$\frac{5}{8}$ "-18	M20 x 1.5	69.9	8125
$\frac{5}{8}$ "-18	M20 x 2.5	69.9	8126

No. 8130 – Female Metric Adapter Kit. Wt., 1.2 kg.			
Std. Female End	Metric Male End	Length (mm)	Order No.
$\frac{5}{8}$ "-18	M6 x 1.0	41.1	8131
$\frac{5}{8}$ "-18	M8 x 1.25	41.1	8132
$\frac{5}{8}$ "-18	M10 x 1.5	41.1	8133
$\frac{5}{8}$ "-18	M12 x 1.75	41.1	8134
$\frac{5}{8}$ "-18	M14 x 2.0	41.1	8135
$\frac{5}{8}$ "-18	M16 x 2.0	41.1	8136
$\frac{5}{8}$ "-18	M20 x 2.5	41.1	8137

No. 8140 – Male Metric Adapter Kit. Wt., 2.4 kg.			
Female End	Male End	Length (mm)	Order No.
1"-14	M16 x 1.5	76.2	8141
1"-14	M16 x 2.0	76.2	8142
1"-14	M18 x 1.5	76.2	8143
1"-14	M20 x 1.5	76.2	8144
1"-14	M20 x 2.5	76.2	8145
1"-14	M22 x 1.5	76.2	8146
1"-14	M24 x 2.0	76.2	8147
1"-14	M24 x 3.0	76.2	8148

For puller piece part identification, order Power Team parts catalog PC97