

Hydraulic Nut Splitters

15 & 25 Ton Capacity

- “Dial-in” feature on HNS150 makes adjustment of splitter simple, without the worry of damaging the bolt.
- Specially designed “tool steel” cutter blade penetrates the nut to the precise point where it cracks, stopping short of the bolt threads.
- Nut splitter features a dramatically improved cutter blade with an 800% greater resistance to chipping and breaking over previous models.
- All models feature a rugged one-piece cutting frame coupled to a heavy-duty hydraulic cylinder.
- Compact size allows you to use it in confined areas where it will deliver enough force to split the toughest “fused” or rusted-on class 12 nuts.
- Simply split nut on one side, spin nut splitter 1/2 turn and make second cut on opposite side. Nut separates into halves for easy removal.



Align mark on cutter blade with scale.



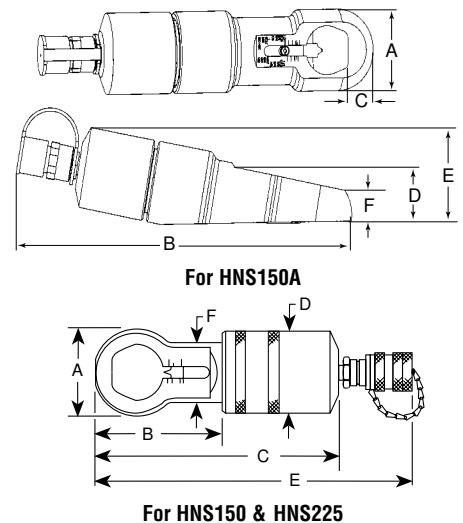
Pump recommendations for HNS225

For field or irregular use, we recommend the use of the P19 hydraulic hand pump (page 23). For repetitive applications, the PA6 air/hydraulic pump (pages 26-27) or the PE172 electric/hydraulic pump (pages 42-43) are suggested.

SPECIFICATIONS

HNS150 & HNS150A, 15 ton and HNS225, 25 ton at 700 bar (max.)

Nut Class-Metric → (Nut Grade-English) →	5 (2 or A)		9 (5 or B)		10 (8 or C)		12 (2H)	
	15 ton	25 ton	15 ton	25 ton	15 ton	25 ton	15 ton	25 ton
Nut Splitter Cap. →	(36)	(55)	(36)	(55)	(33)	(46)	(29)	(36)
Hex Size, Max.	1½	2¼	1½	2¼	1⅝	2⅛	1⅝	1⅞
Bolt Size, Max.	(24)	(36)	(24)	(36)	(22)	(30)	(19)	(29)
	1	1½	1	1½	7/8	1⅜	¾	1⅛
Nut Thickness, Max.	(24)	(33.9)	(20.8)	(30.2)	(26)	(25)	(19)	(20.9)
	1	1½	55/64	19/32	7/8	11/64	¾	32/32
Hex Size, Min.	(13)	(29)	(13)	(29)	(13)	(29)	(13)	(29)
	½	1⅛	½	1⅛	½	1⅛	½	1⅛



HYDRAULIC TOOLS

ORDER INFORMATION

Description	Tons	Order Number	A (mm)	B (mm)	C (mm)	D (mm)	E (mm)	F (mm)	Head Thickness	Replacement Cutter Blade	Wt. (kg)
Nut splitter for use on 12.7 to 30 mm hex nuts.	15	HNS150	73	85.7	200	69.9	264	52.4	25.4 mm	308840	8.1
Angled nut splitter for use on 12.7 to 30 mm hex nuts.	15	HNS150A	76.6	360.8	26.2	53.6	94.1	29.4	25.4 mm	351985	7.2
Nut splitter for use on 29 to 57 mm hex nuts.	25	HNS225	108	152.4	365	98.4	N/A	82.6	38.1 mm	308022	29